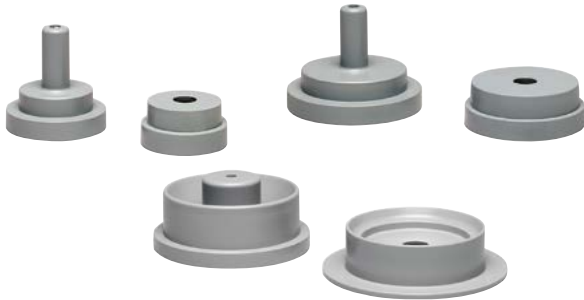


IPS® Investment Ring System

The IPS® Investment Ring System is composed of a ring gauge and a ring base and is used to sprue the contoured restorations. The 100-g and 200-g investment rings are used in combination with the materials IPS e.max® Press, IPS e.max ZirPress and IPS InLine® PoM; the 300-g investment ring is used with the materials IPS e.max ZirPress and IPS InLine PoM.



Delivery forms

IPS® Investment Ring System

Investment base		
Investment gauge		
100 g	3 x 1	597060
200 g	3 x 1	597061
300 g	1 x 1	614490

IPS® Silicone Ring

IPS® Silicone Rings are used both for the IPS Investment Ring System and the IPS Empress® Investment Ring System.



Delivery forms

IPS® Silicone Ring	1x each	
100 g		590113AN
200 g		590114AN
300 g		614492

IPS® Alox Plunger

The ceramic ingot is pressed in its softened state into the hollow space in the investment ring by means of the IPS® Alox Plunger. The Alox Plunger is compatible with the 100-g and the 200-g investment rings as well as the IPS Multi 200-g investment system. Both ends of the plunger are rounded and can therefore be used for pressing. The plunger is reusable.



Delivery forms

IPS® Alox Plunger	2x	597062
-------------------	----	--------